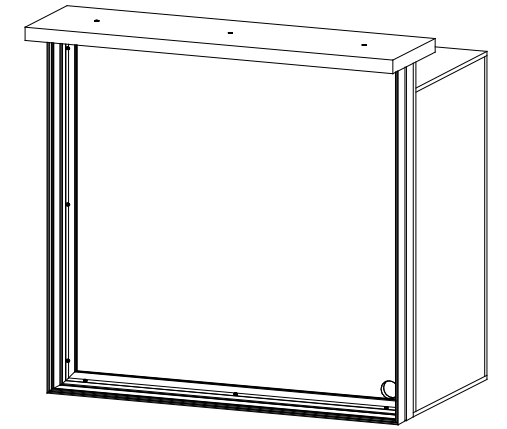
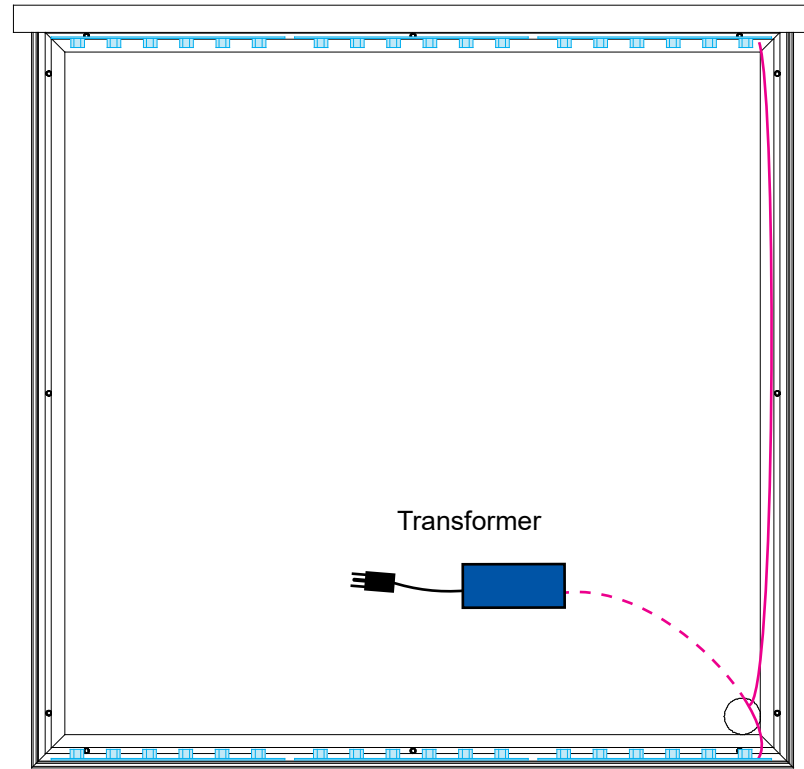


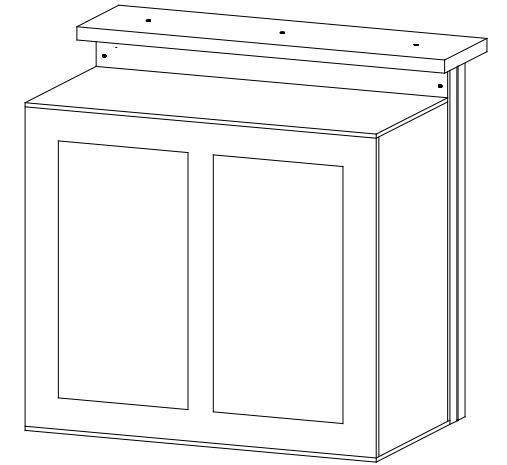
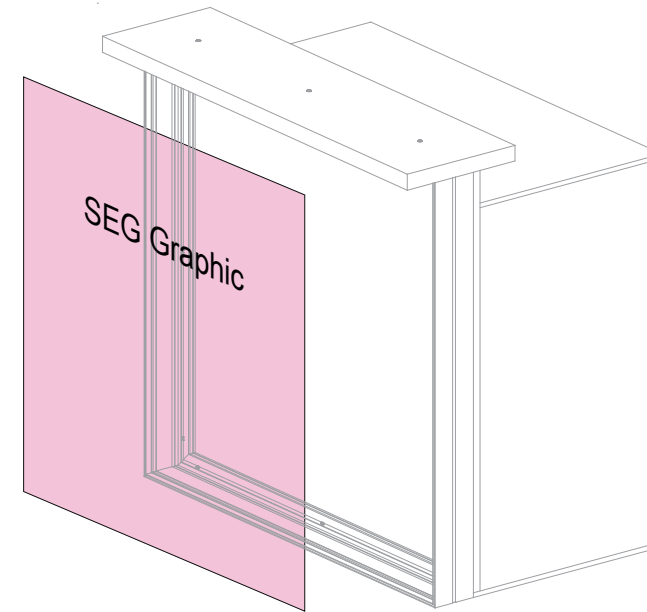
Steps:

- 1) Connect power cords to Supernova lights as shown.
- 2) Apply SEG graphic to front of lightbox. Refer to the *SEG Installation general information page*.

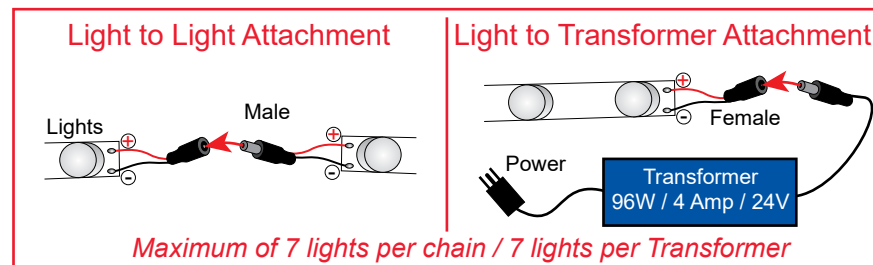


FRONT VIEW

When assembled



BACK VIEW



SETUP INSTRUCTIONS